

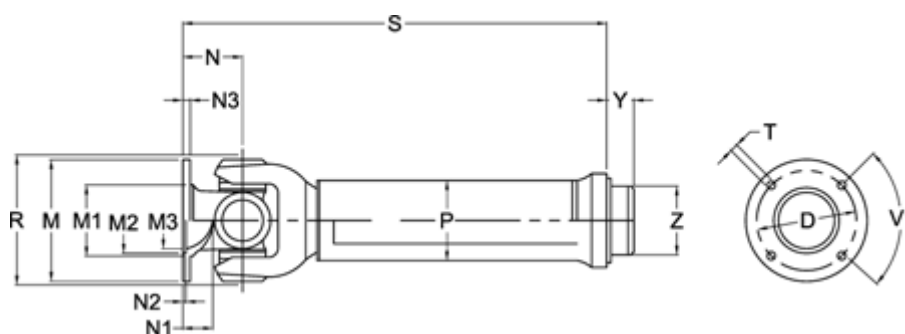
Data Sheet



Article number: 071120710308120

Description: Cardan drive shaft 0.112.071.001
S=308 X=120 Bore with keyway

Measures



D	= 130 \pm 0,1	N1	= 33	T	= 10 B12
Extension X	= 120	N2	= 3 \pm 0,5	V1 degrees	= 45
Flange diameter M	= 150	N3	= 9	Y	= 20
M1	= 101	Number og Flangeholes	= 8	Z	= 52.25
M2	= 90	P	= 60x4		
M3	= 78	R1	= 115		
Max. Bending Angle degrees	= 18	S min	= 308		
N	= 60	Spline dim. DIN 5480	= 42x2x20		